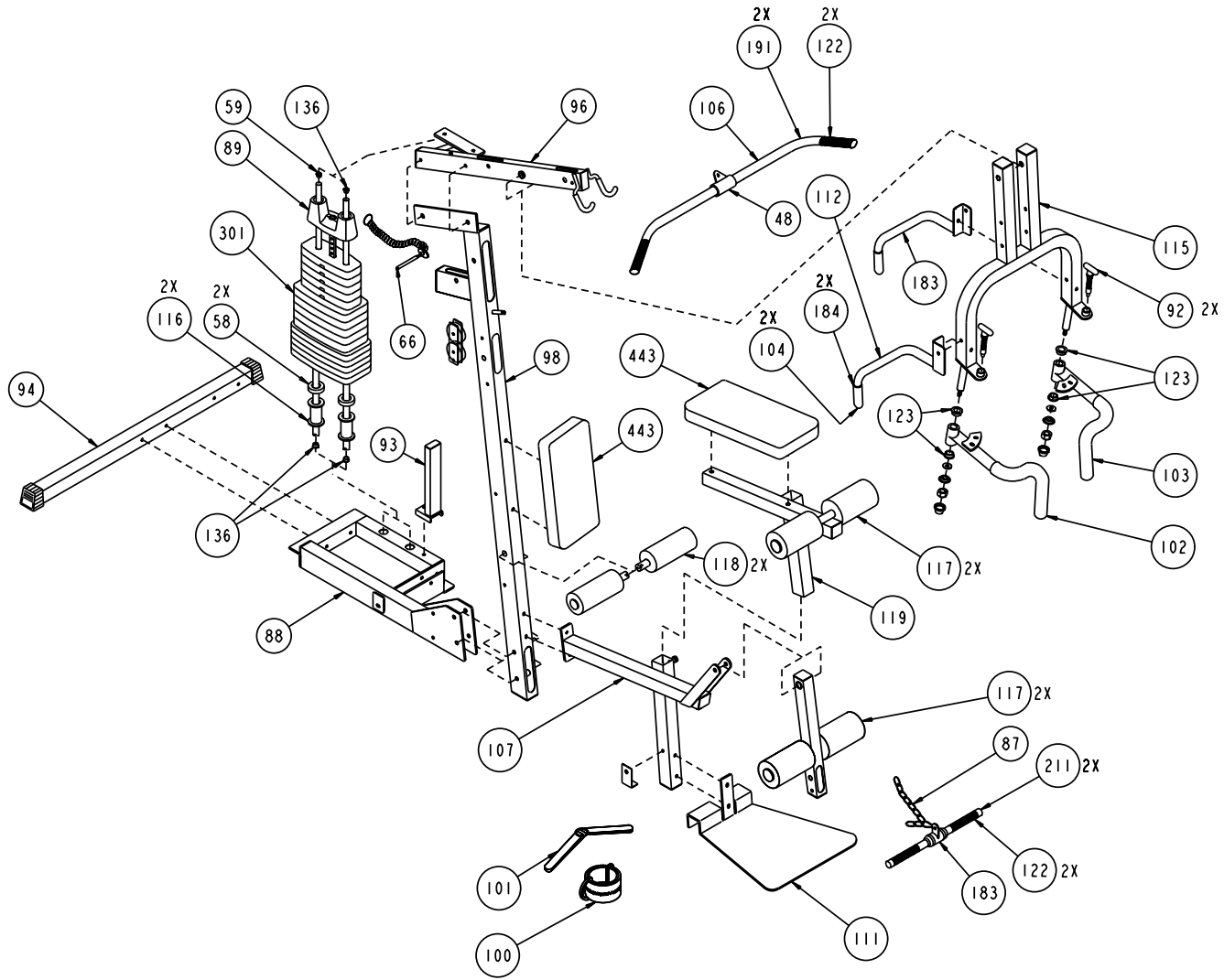
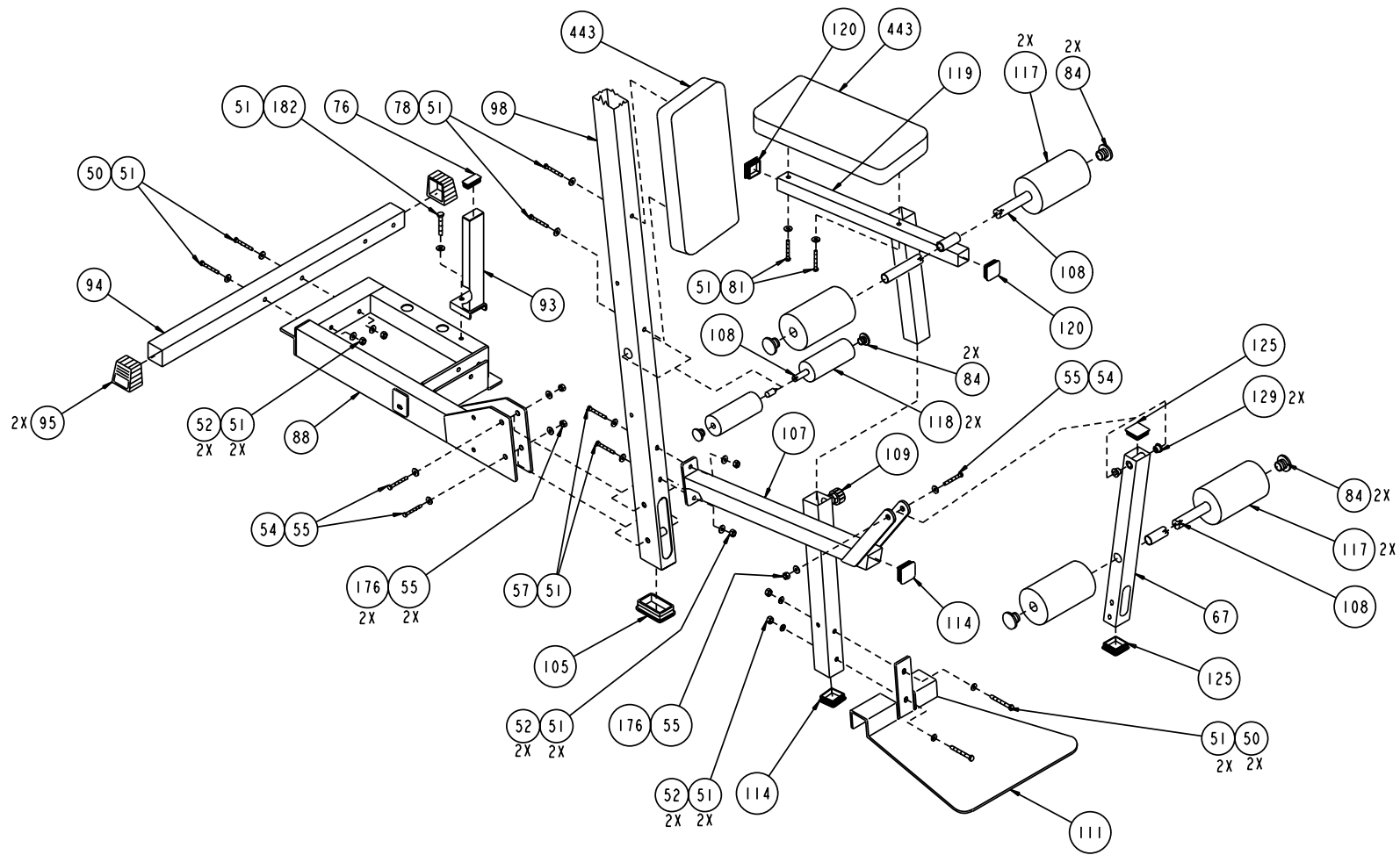


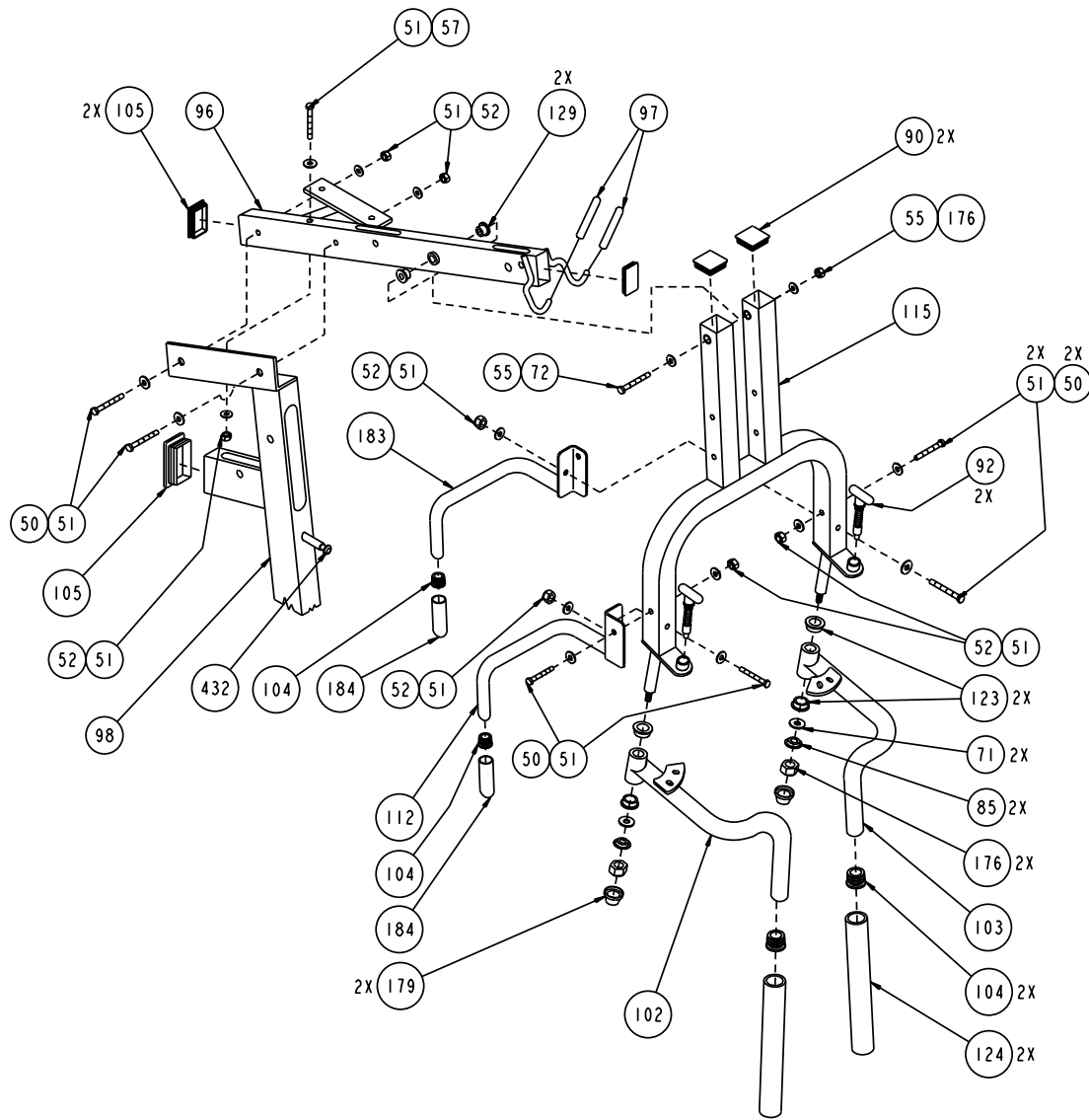
ZUMA	P/N: 43399-102	REV: E02
DRAWN BY: GRANADOSIN	DATE: 11.15.04	SHEET 1 OF 11



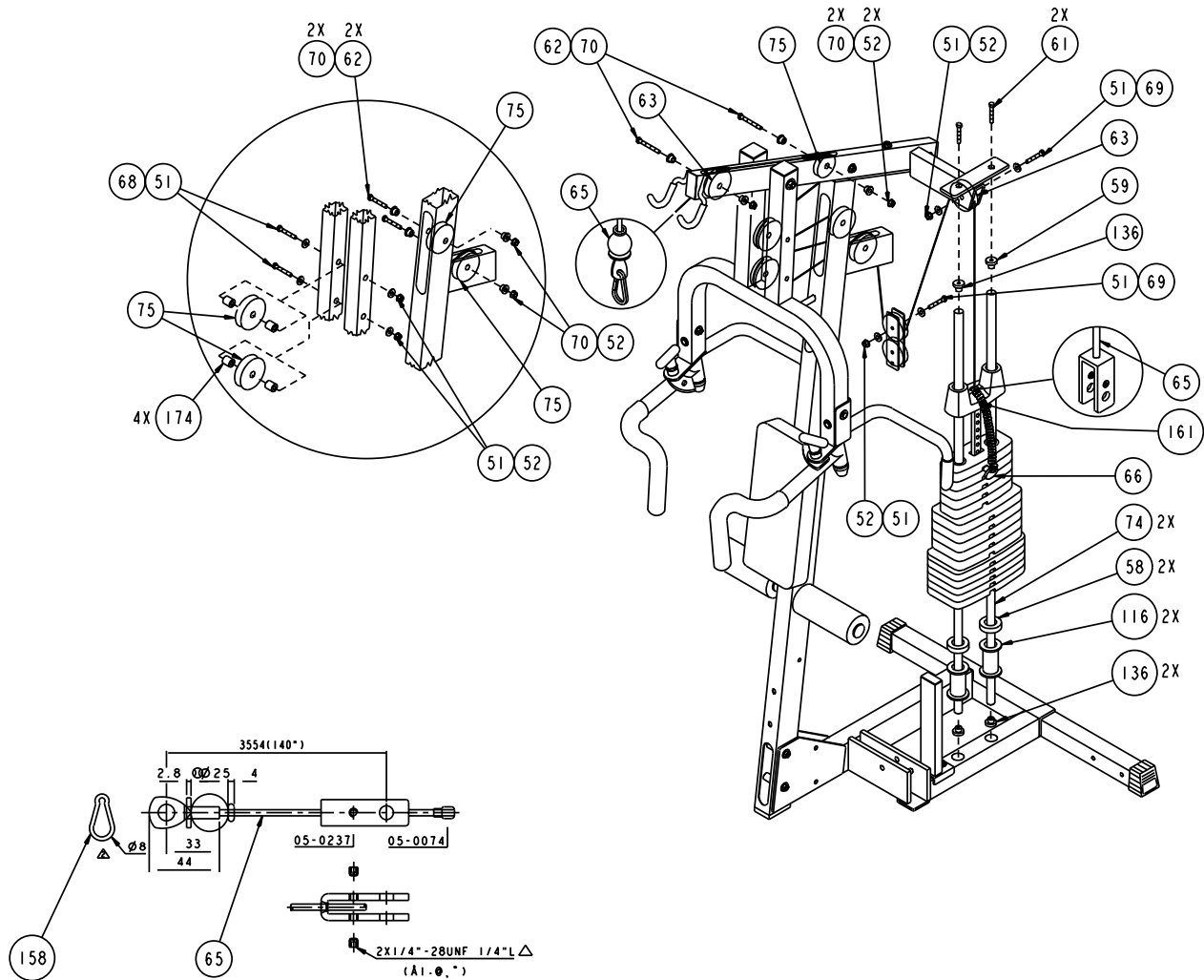
ZUMA	P/N 43399-102	REV: E02
DRAWN BY: GRANADOSIN	DATE: 11.15.04	SHEET 2 OF 11



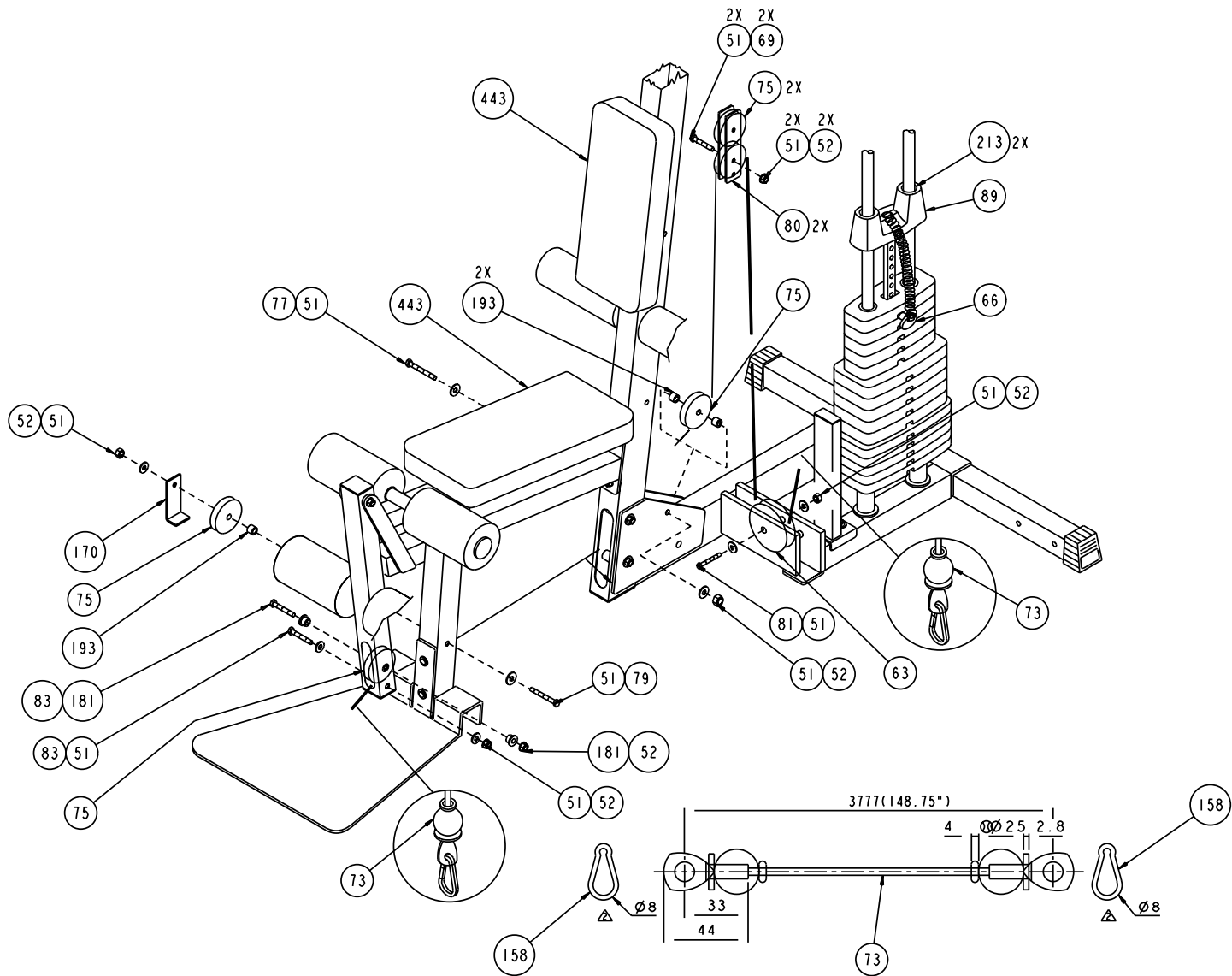
ZUMA	P/N 43399-102	REV: E
DRAWN BY: GRANADOSIN	DATE: 10.12.04	SHEET 3 OF 11



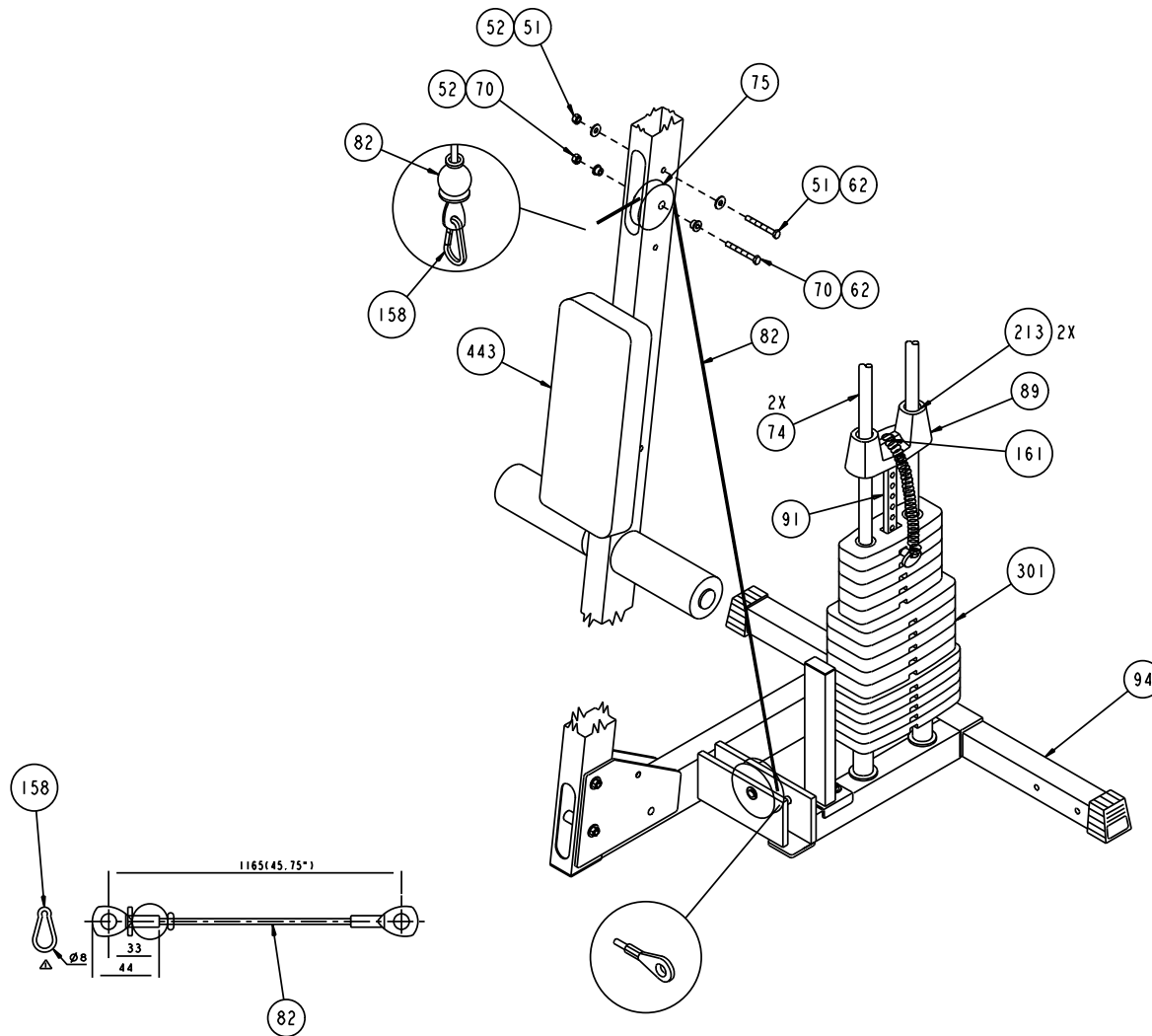
ZUMA	P/N 43399-102	REV: E02
DRAWN BY: GRANADOSIN	DATE: 11.15.04	SHEET 4 OF 11



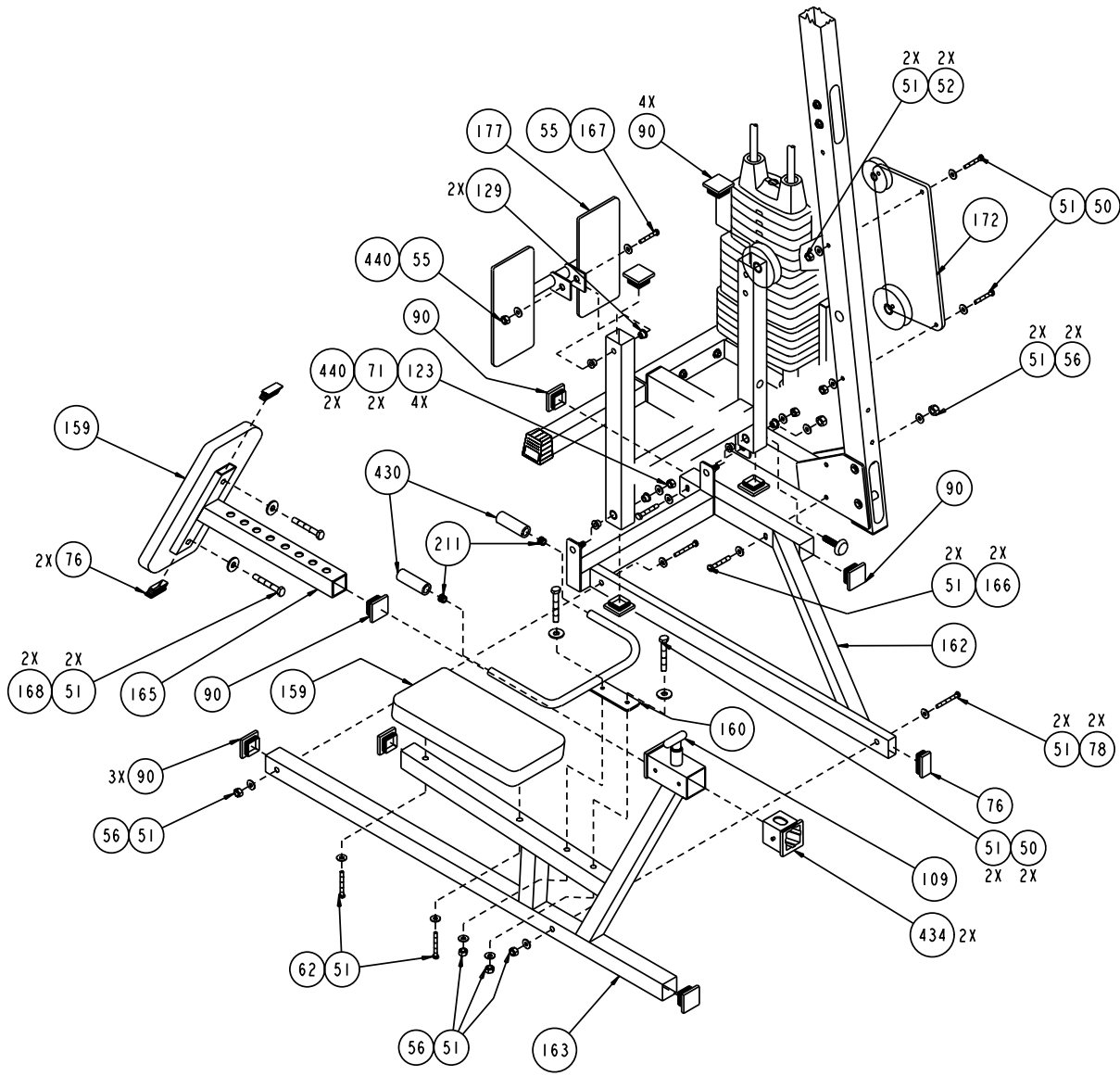
ZUMA	P/N 43399-102	REV: E02
DRAWN BY: GRANADOSIN	DATE: 11.15.04	SHEET 5 OF 11



ZUMA	P/N 43399-102	REV: E02
DRAWN BY: GRANADOSIN	DATE: 11.15.04	SHEET 6 OF 11

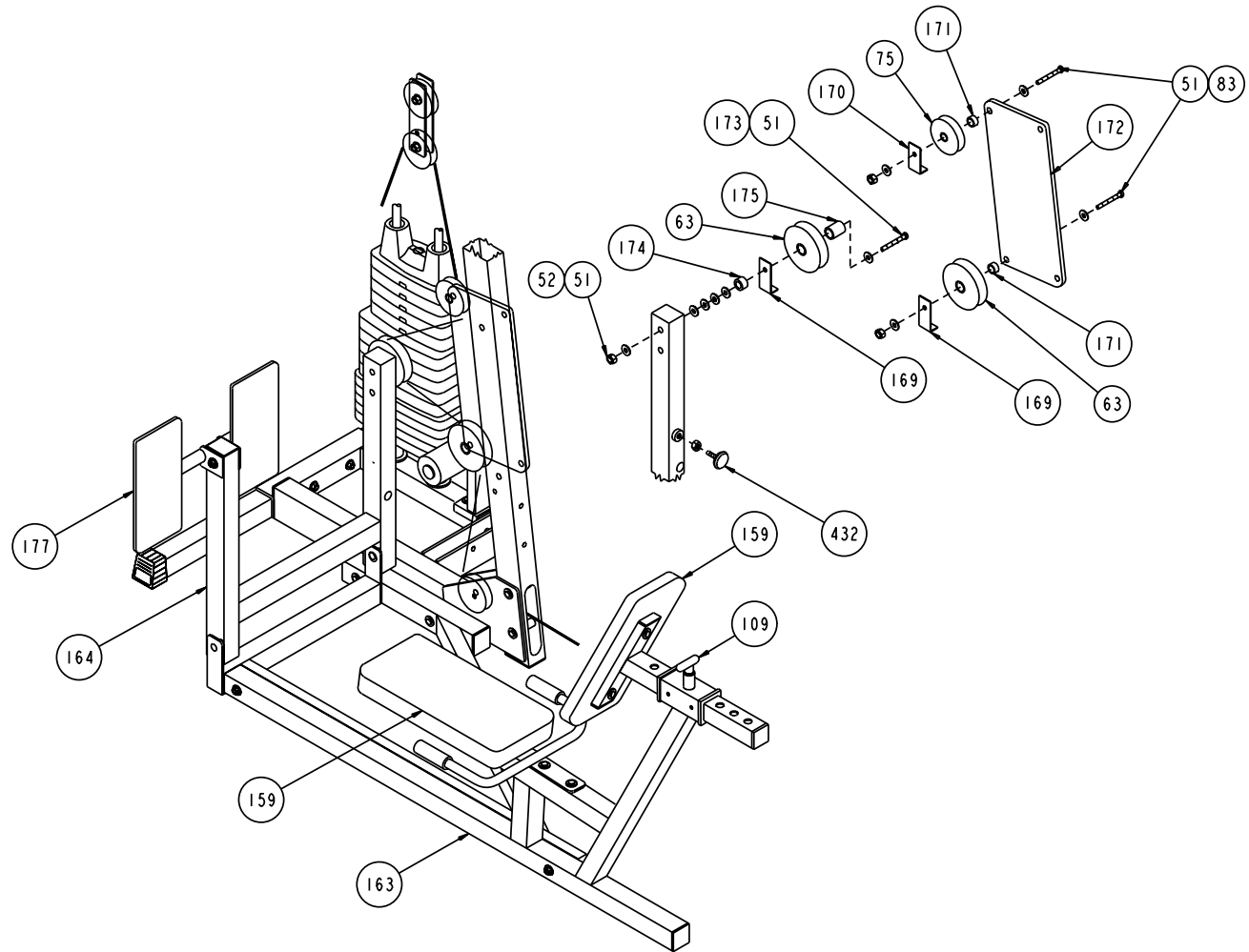


ZUMA	P/N 43399-102	REV: E02
DRAWN BY: GRANADOSIN	DATE: 11.15.04	SHEET 7 OF 11

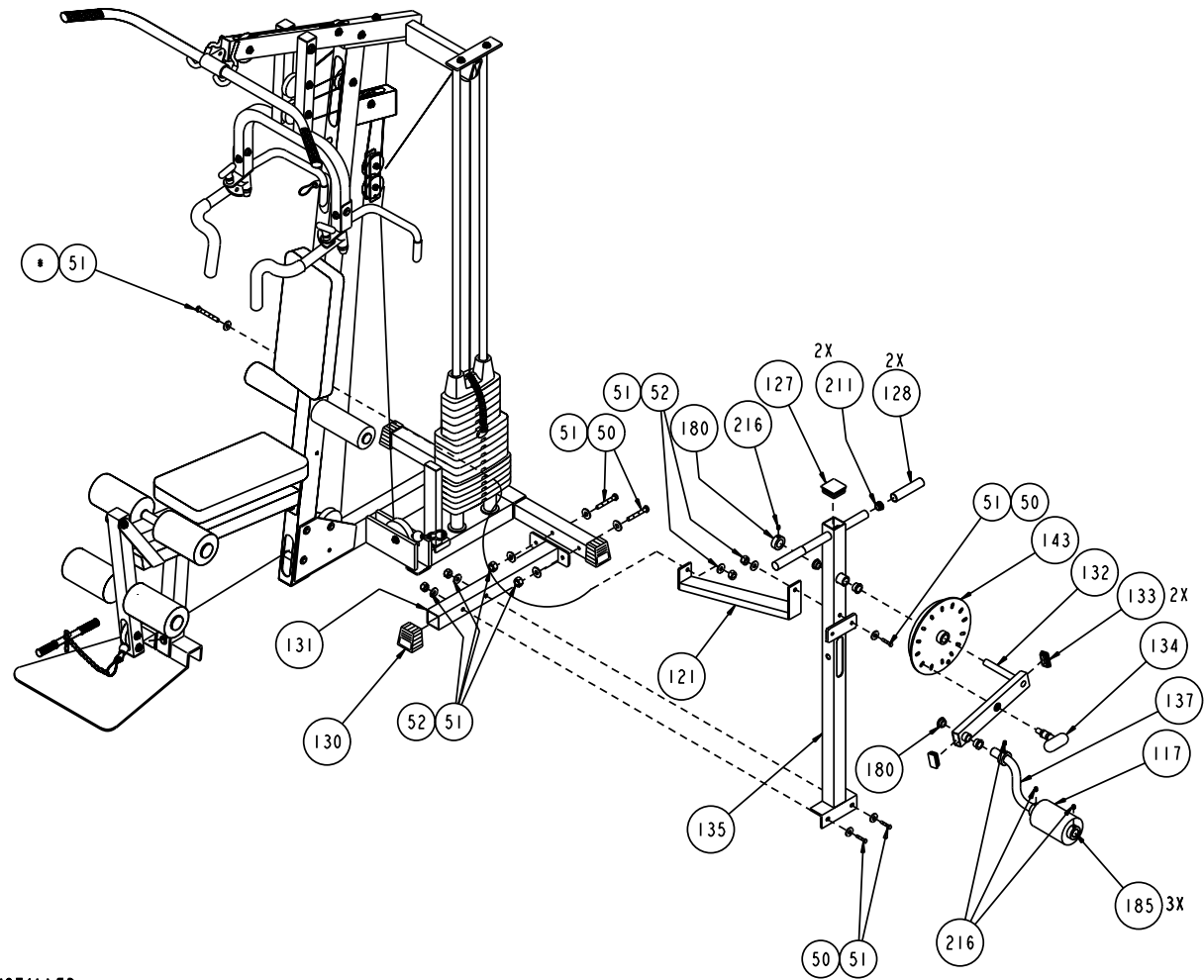


ZUMA	P/N 43399-102	REV: E02
DRAWN BY: GRANADOSIN	DATE: 11.15.04	SHEET 8 OF 11



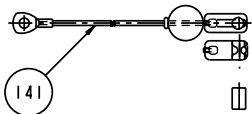
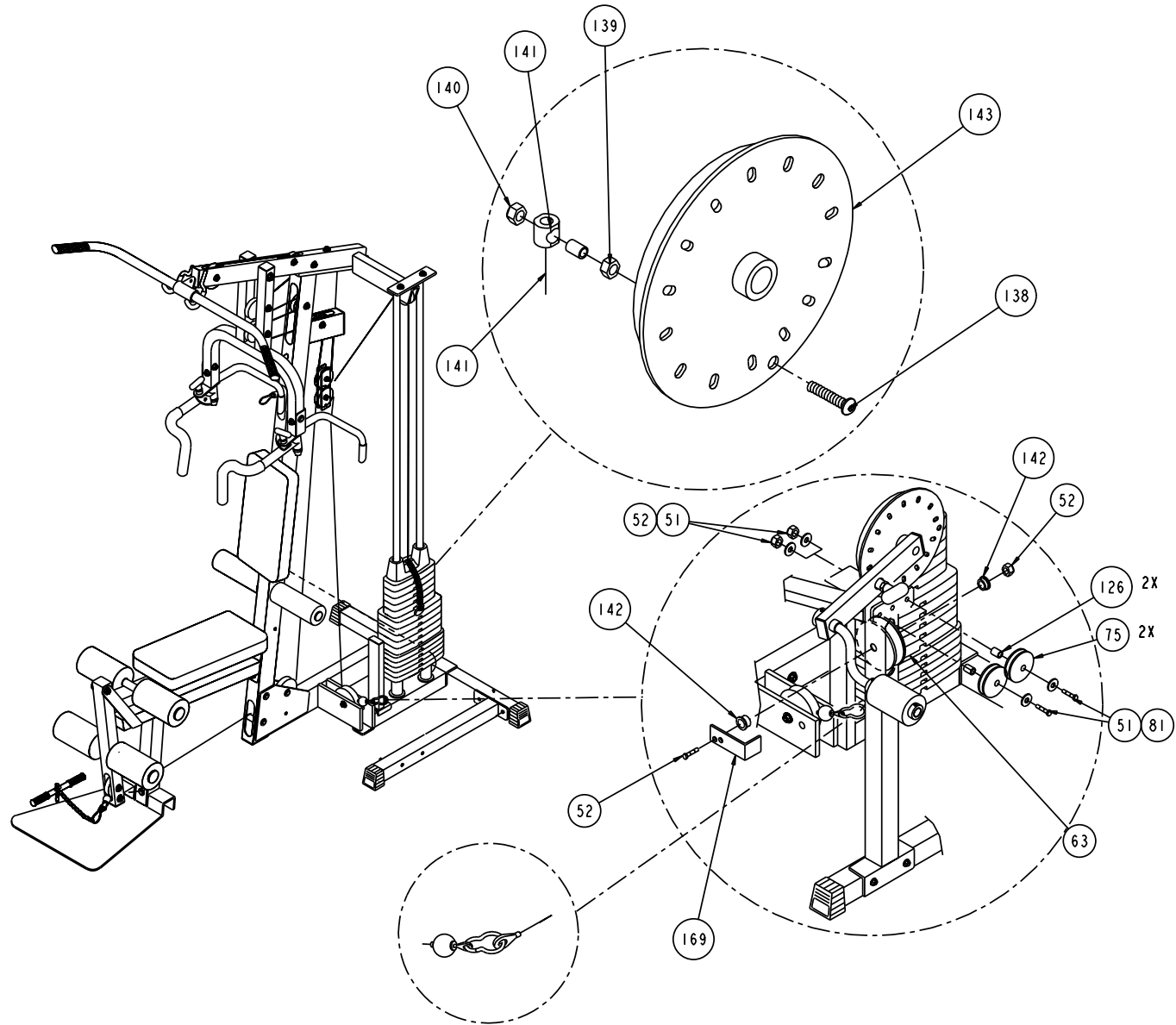


ZUMA	P/N 43399-102	REV: E02
DRAWN BY: GRANADOSIN	DATE: 11.15.04	SHEET 9 OF 11



- 77 WHEN LEG PRESS OPTION IS INSTALLED
- 50 WHEN LEG PRESS OPTION IS INSTALLED

ZUMA	P/N 43399-102	REV: E02
DRAWN BY: GRANADOSIN	DATE: 11.15.04	SHEET 10 OF 11



ZUMA	P/N 43399-102	REV: E02
DRAWN BY: GRANADOSIN	DATE: 11.15.04	SHEET 11 OF 11

**Zuma (serial code EY)**

<b>Part Number</b>	<b>Description</b>	<b>Bubble Number</b>
45030-101	LAT BAR FOAM	48
HCKN038-300	SCREW,HEX, GR5,3/8-16X3,BLK ZN	50
WNKN041-007	WASHER, FLT, 3/8X.870X.065,BLK ZN	51
HCKN038-375	SCREW,HEX,GR5,3/8-16X3 3/4,BLK ZN	52
KDCN038-034	LOCKNUT, FULL, 3/8-16, BLK ZN	52
KDKN038-034	LOCKNUT,FULL,3/8-16,BLK ZN	52
HCKN038-475	SCREW,HEX,GR5,3/8-16X4 3/4,BLK ZN	53
HCKN050-325	SCREW,HEX,GR5,1/2-13X3 1/4, BLK ZN	54
WNKN053-008	WASHER,FLT,1/2X1.032X.075,BLK ZN	55
45216-101	HAND GRIP, 1"ID, 135MM	56
KDCN038-034	LOCKNUT, FULL, 3/8-16, BLK ZN	56
HCKN038-400	SCREW,HEX,GR 5,3/8-16X4,BLK	57
40365-101	CUSHION,WT STACK	58
HCKE038-100	SCRW,HX,GR 5,3/8-16X1,BLK ZN,NYLOCK	61
HCKN038-275	SCREW,HEX, GR5,3/8-16X2 3/4,BLK ZN	62
41217-101	PULLEY,4-1/2", GRADE A	63
45238-101	PULLEY, 4 1/2" GRADE B	63
40509-102	CABLE,MAIN,TW,ZUMA	65
45057-101	WEIGHT PIN & LANYARD	66
45212-101	ASSY,LEG EXT. ARM,GRAY	67
HCKN038-750	SCREW,HEX,GR5,3/8-16X7 1/2, BLK ZN	68
HCKN038-200	SCREW,HEX,GR5,3/8-16X2, BLK ZN	69
40439-102	SPACER,1/2" BLACK ZINC STEP	70
WAAKN050-010	WASHER,FLT,1/2X1.25X.100,BLK ZN	71
HCKN050-750	SCREW,HEX,GR5,1/2-13X7 1/2,BLK ZN	72
42760-102	CABLE,LOWER-TW,ZUMA	73
45242-101	ASSY,GUIDE ROD	74
41216-101	PULLEY,3-1/2", GRADE A	75
45237-101	PULLEY, 3 1/2" GRADE B	75
41177-101	ENDCAP,25MMX50MM	76
HCKN038-325	SCREW,HEX,GR5,3/8-16X3 1/4,BLK ZN	77
HCKN038-375	SCREW,HEX,GR5,3/8-16X3 3/4,BLK ZN	78
HCKN038-425	SCREW,HEX,GR5,3/8-16X4 1/4,BLK ZN	79
43426-101	FLOATING PULLEY PLATE, BLACK	80
HCKN038-225	SCREW,HEX,GR5,3/8-16X2 1/4,BLK ZN	81
42762-102	CABLE,AB/TRICEP-TW,ZUMA	82
HCKN038-250	SCREW,HEX,GR5,3/8-16X2 1/2,BLK ZN	83
45239-101	MUSHROOM CAP,BLACK	84
WBGKN013-003	WASHER,HAT,SOLANA	85
40372-105	CHAIN,PASSING LINK,14 LINKS	87
44792-101	ASSY, MAIN BASE, GRAY	88
44828-101	ASSY, TOP WEIGHT,CAST IRON	89
41176-101	ENDCAP,50MM X50MM	90
45019-101	POP PIN,80MM,T-HANDLE,TAPERED	92
45226-101	FOOT CAP, 50X50MM	95
45231-101	ASSY, TOP BEAM,GRAY	96
43383-101	SLEEVE,PLASTIC	97
45233-101	ASSY,MAIN UPRIGHT,GRAY	98
43391-101	STRAP,ANKLE,ZUMA	100
43392-101	STRAP,AB,ZUMA	101

44765-101	ASSY,PEC FLY ARM,RIGHT	102
44765-102	ASSY,PEC FLY ARM,LEFT	103
42432-101	ENDCAP,1-1/4"OD ROUND,BLK	104
43382-101	ENDCAP,50X75MM	105
45208-101	ASSY, LAT BAR, ZUMA	106
45209-101	ASSY,SEAT UPRIGHT,GRAY	107
45213-101	ROLLER PAD ROD FOR PF	108
45014-101	POP PIN,75MM,T-HANDLE	109
45218-102	WELDMENT,FOOT PLATE,BLACK,PT	111
45220-101	ASSY,ROW HANDLE,LEFT, GRAY	112
45235-101	FOAM ROLLER,OD4",L8"	113
45223-101	ASSY,PRESS ARM,GRAY	115
45217-101	GUIDE ROD SPACER,BLACK	116
40821-101	ROLLER, FOAM, 8"	117
45236-101	FOAM ROLLER,OD2.50",L8"	118
45240-101	ASSY,SEAT STEM,CHROME	119
43380-101	ENDCAP,SQUARE,38MM	120
43736-101	WELDMENT,HIP CROSS BRACE,GRAY,PT	121
45216-101	HAND GRIP, 1"ID, 135MM	122
12286-103	STEP SPACER,METRC,19.05ID,20L,BRNZ	123
12272-101	GRIP,HAND DIPPED,M31.8X17"	124
41206-101	ENDCAP,45MMX45MM	125
40379-102	SPACER,3/8" BLK ZN BARREL	126
40291-101	ENDCAP,2"SQ.,11GA	127
12286-102	STEP SPACER,METRIC,12.8ID,18L,BRNZ	129
40768-101	ENDCAP,2",OUTSIDE FLOOR	130
43952-101	ASSY,HIP BASE,GRAY	131
43953-101	ASSY,PIVOT ARM,GRAY	132
40282-101	ENDCAP,1X2,11GA	133
43954-101	POP PIN, 3 1/2, T-HANDLE	134
43722-101	WELDMENT,HIP UPRIGHT,GRAY,PT	135
43729-101	PLUG,GUIDE ROD,SOLANA	136
43950-101	WELDMENT,ROLLER BENT ARM,GRAY,PT	137
TAKN038-150	SCREW,BTHD,3/8-16X1-1/2,BLK ZN	138
KYKN038-023	NUT,JAM,3/8-16, BLK ZN	139
KAKN038-027	LOCKNUT,HALF,3/8-16,BLK ZN	140
40510-102	CABLE,MULTI-HIP,ZUMA	141
40439-102	SPACER,1/2" BLACK ZINC STEP	142
43906-101	WELDMENT,HIP SELECTOR,CHROME	143
45054-101	ASSY,20 HOLE SELECTOR STEM	157
40371-101	LINK,SPRING,5/16	158
43933-102	SEAT,9 X 16,VACUUM FORMED,DOVE GRAY	159
45159-101	ASSY,HANDLE,GRAY	160
CCKN038-150	SCREW,SKHD,3/8-16X1.50,BLK ZN,LK	161
45173-101	ASSY,LEG PRESS BASE,GRAY	162
45174-101	40ASSY,SEAT FRAME,GRAY	163
45175-101	ASSY,SUPPORT ARM,GRAY	164
45176-101	ASSY,SEAT BRACKET SUPT,CHROME	165
HCKE038-500	SCREW,HEX,GR 5,3/8-16X5,BLK ZN	166
HCKN050-350	SCREW,HEX,GR5,1/2-13X3 1/2,BLK ZN	167
HCKE038-175	SCREW,HEX,GR5,3/8-16X1 3/4,BLK ZN	168
41218-101	RETAINER,CABLE,4-1/2"	169

45047-101	RETAINER,"L" CABLE,BLACK,TAIWAN	169
41219-101	RETAINER,CABLE,3-1/2"	170
40379-102	SPACER,3/8" BLK ZN BARREL	171
45184-101	WELDMENT,PULLEY PLATE,GRAY,PT	172
HCKN038-500	SCREW,HEX,GR 5,3/8-16X5,BLK	173
12265-101	SPACER, 1/2" RUBBER BARREL	174
43740-101	SPACER,BARREL,SOLANA	174
45180-101	CAM STOP, BLACK	175
KDKN050-072	LOCKNUT,FULL,1/2-13,BLK ZINC	176
45172-101	WELDMENT,FOOTREST,BLACK,PT	177
45171-101	WELDMENT,STOP BRACKET,GRAY,PT	178
40364-101	ENDCAP,3/4"DIA,BLK,OUTSIDE LOCK	179
43956-101	COLLAR,SHAFT,3/4 W/ SET SCREW	180
45147-101	STP SPCR,M16.2OD,10ID,12.5H,BLK ZNC	181
HCKE038-075	HEX,GR5,3/8-16X3/4,NYLOCK,BLK ZN	182
45220-102	ASSY,ROW HANDLE,RIGHT, GRAY	183
45088-101	GRIP,HAND DIPPED,1.25"ID, 135MM L	184
HCKE038-525	SCREW,HEX,GR 5,3/8-16X5 1/4,BLK ZN	190
45249-101	HAND GRIP, 1"ID, 345MM	191
12286-103	STEP SPACER,METRC,19.05ID,20L,BRNZ	192
43740-101	SPACER,BARREL,SOLANA	193
44474-101	END CAP,ROUND,ZUMA MULTI-HIP	211
44976-101	PLASTIC TOP WEIGHT BUSHING	213
44789-121	KIT, HARDWARE,ZUMA,GRAY, STEP 12	222
44789-132	KIT, HARDWARE,ZUMA,GRAY, STEP 13	223
44789-140	KIT, HARDWARE,ZUMA,GRAY, STEP 14	224
44789-112	KIT, HARDWARE,ZUMA,GRAY, STEP 11	231
44789-121	KIT, HARDWARE,ZUMA,GRAY, STEP 12	232
44789-132	KIT, HARDWARE,ZUMA,GRAY, STEP 13	233
44789-140	KIT, HARDWARE,ZUMA,GRAY, STEP 14	234
45206-001	HARDWARE KIT, LP3-ALL UNITS	250
45206-010	STEP 1, LP3 HARDWARE	251
45206-021	STEP 2, LP3 HARDWARE	252
45206-030	STEP 3, LP3 HARDWARE	253
45206-041	STEP 4, LP3 HARDWARE	254
45206-051	STEP 5, LP3 HARDWARE	255
45321-101	PULLEY BAG, LP3	256
44835-001	KIT, HARDWARE,ZUMA MULTI HIP,GRAY	260
44835-010	HARDWARE STEP 1,ZUMA MULTI HIP,GRAY	261
44835-021	HARDWARE STEP 2,ZUMA MULTI HIP,GRAY	262
44835-030	HARDWARE STEP 3,ZUMA MULTI HIP,GRAY	263
44835-040	HARDWARE STEP 4,ZUMA MULTI HIP,GRAY	264
48834-101	WEIGHT WITH BUSHING, 10#	301
40771-102	BUSHING,WEIGHT STACK,PLASTIC,1"	303
45216-101	HAND GRIP, 1"ID, 135MM	430
44883-101	ASSY,BUMPER, 1.34L	432
45169-101	PLASTIC SLEEVE,BLACK	434
KDKN050-072	LOCKNUT,FULL,1/2-13,BLK ZINC	440
44767-101	SEAT,9X16-10,DOVE GRAY	443
40386-103	LABEL,WEIGHT STACK,RETAIL	994
59046-101	LP3 BRACKET KIT, FOR USE ON LP3 MAD	995
44451-102	LITERATURE KIT, ZUMA MULTI-HIP,GRAY	996

43146-103	WALL CHART,ZUMA,GRAY	997
47937-102	LITERATURE KIT, LP3	998
43398-102	LITERATURE KIT,ZUMA,GRAY	999